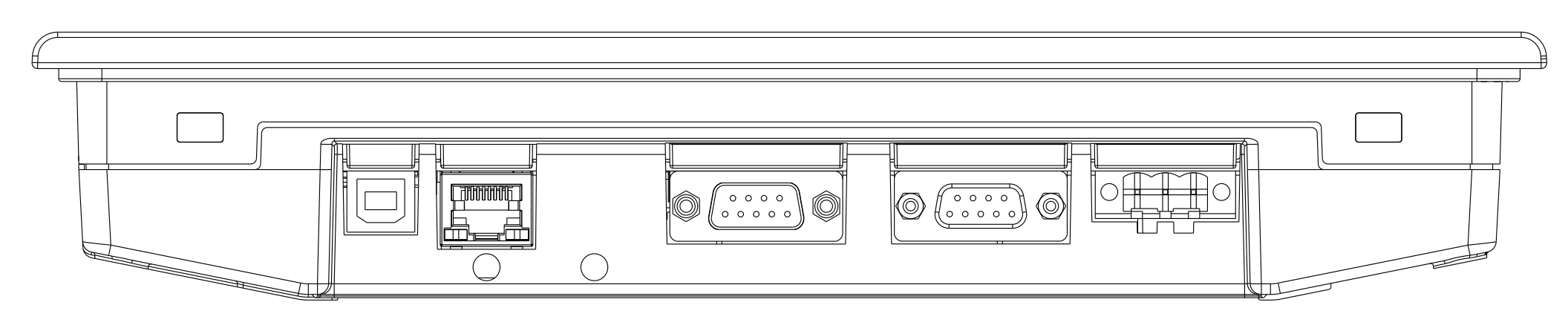
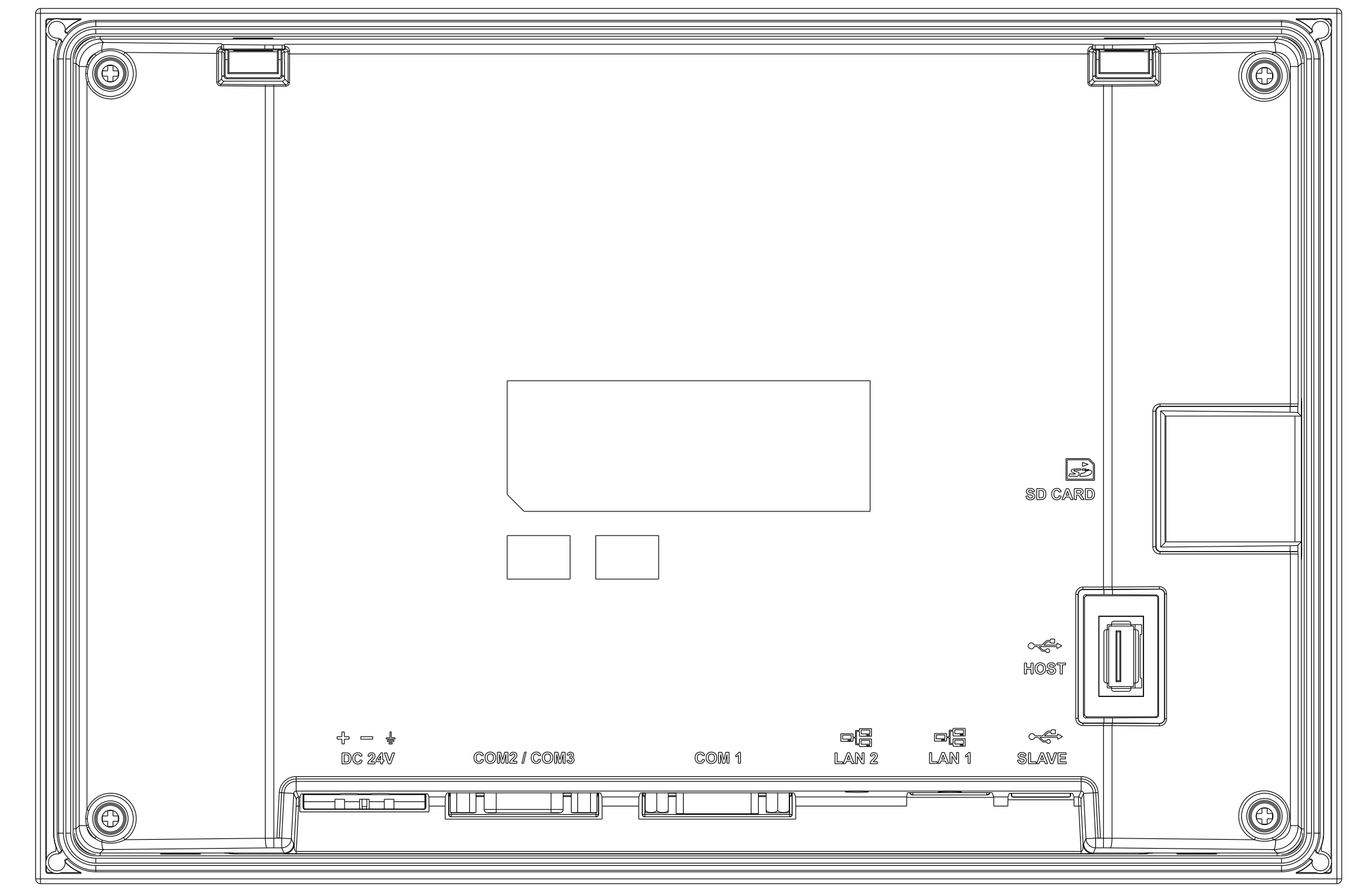
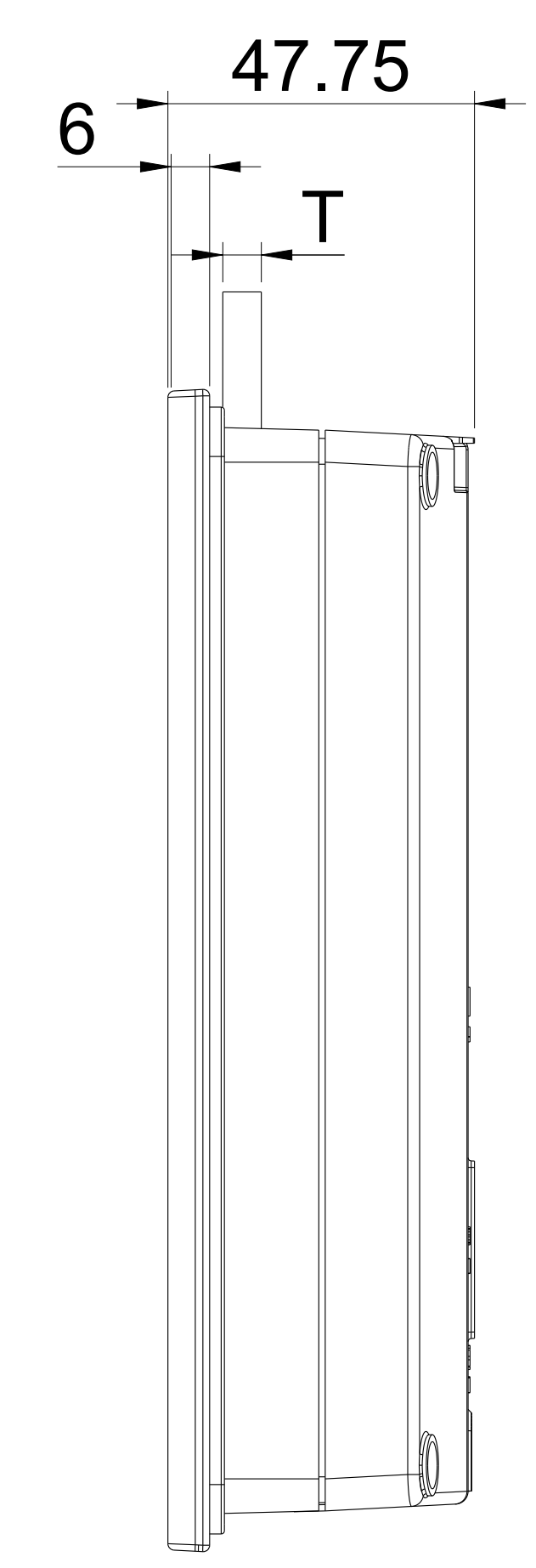


NOTE:
T=1.6mm~6mm(0.06"~0.24")



台達電子工業股份有限公司 DELTA ELECTRONICS, INC.		DRAWN:	DESIGN:
<small>THESE DRAWINGS AND SPECIFICATIONS ARE THE PROPERTY OF DELTA ELECTRONICS, INC. AND SHALL NOT BE REPRODUCED OR USED AS THE BASIS FOR THE MANUFACTURE OR SELL OF APPARATUS OR DEVICES WITHOUT PERMISSION.</small>		APPROVE:	DATE:.
<small>DIMENSIONAL TOLERANCES (V) () () () ANGLES</small> <small>DECIMALS <50 ±0.1 <50 ±0.15 <50 ±0.2 <30° ±0.1°</small> <small>X ±0.3 >50-100 ±0.15 >50-100 ±0.2 >50-100 ±0.25 >30°-60° ±0.3°</small> <small>X.X ±0.2 >100-200 ±0.2 >100-200 ±0.25 >100-200 ±0.3 >60°-90° ±0.5°</small> <small>X.XX ±0.1 >200± ±0.2% >200± ±0.25% >200± ±0.3%</small>			
DESCRIPTION:	CONFIDENTIAL	SIZE	PART NO.:
USED ON	UNIT	SCALE	SHEET 1 OF 1